

## LULU SERIES


*Environmentally conscious...  
and handsome, too*



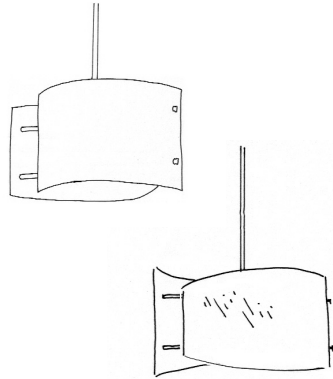
David Bergman Architect

V: 212 475 3106  
F: 212 677 7291  
241 Eldridge Street 3R  
New York, New York 10002

[info@cyberg.com](mailto:info@cyberg.com)  
[www.cyberg.com](http://www.cyberg.com)

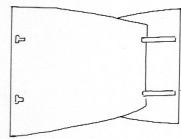
i d r a   
2001 Award Winner

## LULU SERIES



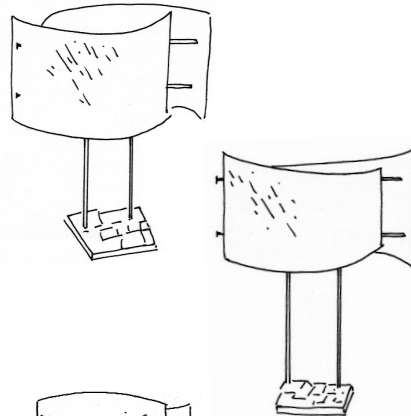
### Pendants

F&W #71 (straight) & #72 (tapered)  
 17" W x 10.5" D x 9" H (shade only)



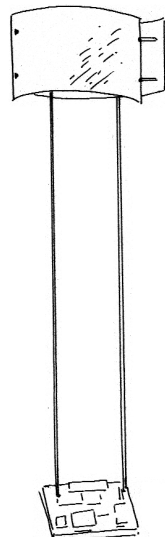
### Sconce

F&W #73  
 15" W x 4" D x 10" H  
 ADA Compliant



### Table Lamps

F&W #74 (straight) & #75 (tapered)  
 17" W x 10.5" D x 22.5" H



### Floor Lamp

F&W #76  
 17" W x 10.5" D x 63.5" H

Lulu Series fixtures are lamped with 26 watt 4-pin compact fluorescent bulb(s) with GU24 sockets. All models except for F&W # 73 use two bulbs.

Shades are made of recycled plastic (50% recycled content).

Bases are made of an environmental bio-composite resembling granite.

All designs ©David Bergman

David Bergman Architect

V: 212 475 3106  
 F: 212 677 7291  
 241 Eldridge Street 3R  
 New York, New York 10002

info@cyberg.com  
 www.cyberg.com